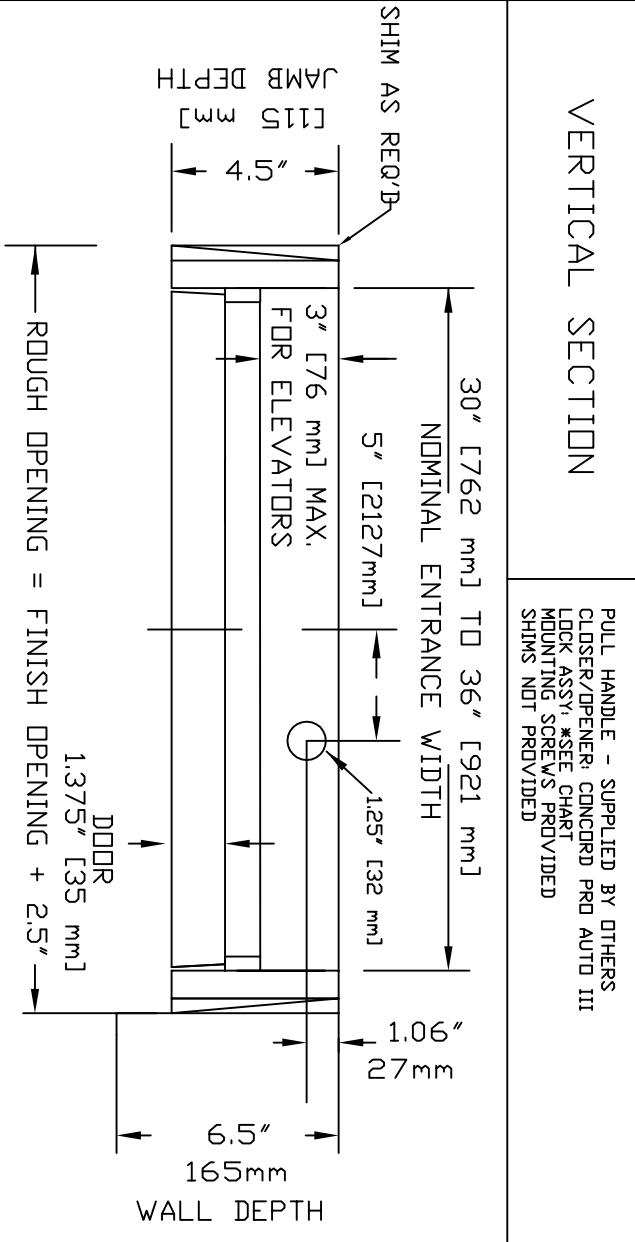
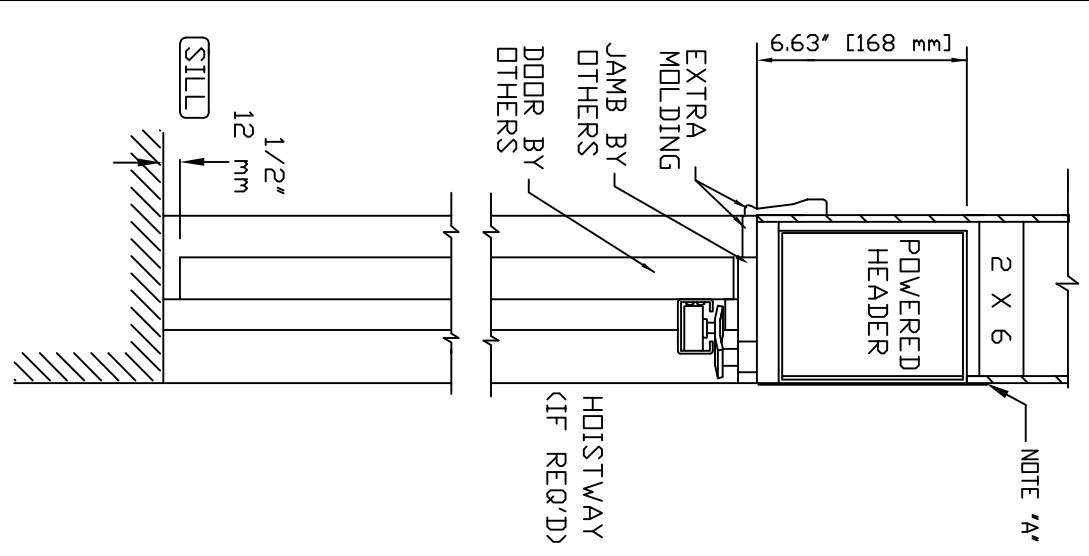


ADJUSTABLE BRACKET
WALL ATTACHMENT
(6X) #8 X 1.5 FH SCREWS
(ADJUST TO CENTER)

WOODEN POWERED HEADER LH DOOR



NOTES:
 A: DRYWALL OR PARGING (BY OTHERS) AS REQ'D.
 C: SEE DATASHEET OF THE INSTALLATION DRAWING FOR LANDING ENTRANCE SCHEDULE.
 D: ALL INFORMATION IS SUBJECT TO CHANGE.

GENERAL SPECIFICATIONS:
 - EACH POWERED HEADER SHALL BE SUPPLIED AS A FINISHED ASSEMBLY READY TO INSTALL INTO FRAMING. NOTEWOOD FALSE HEADER MUST BE CUT TO SIZE.
 - DOOR FRAME SHALL BE WOOD CONSTRUCTION WHERE OPERATOR IS MOUNTED
 - DOORS SUPPLIED BY SAVARIA/CONCORD SHALL BE HOLLOW-CORE, 1.375\"/>

HARDWARE:
 - PULL HANDLE - SUPPLIED BY OTHERS
 - CLOSER/OPENER: CONCORD PRO AUTO III
 - LOCK ASSY: *SEE CHART
 - MOUNTING SCREWS PROVIDED
 - SHIMS NOT PROVIDED

CUSTOMER: _____
 PROJECT: _____
 ADDRESS: _____

DATE: MM/DD/YY
 REVISION DATE: MM/DD/YY
 COMPLETED BY: _____

Part No. _____
 Variant No. _____

savaria.

JOB No. _____ JOB NUMBER 1 OF 1