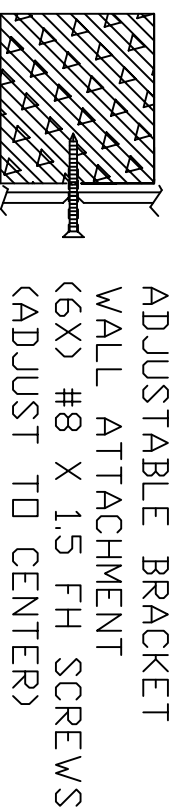
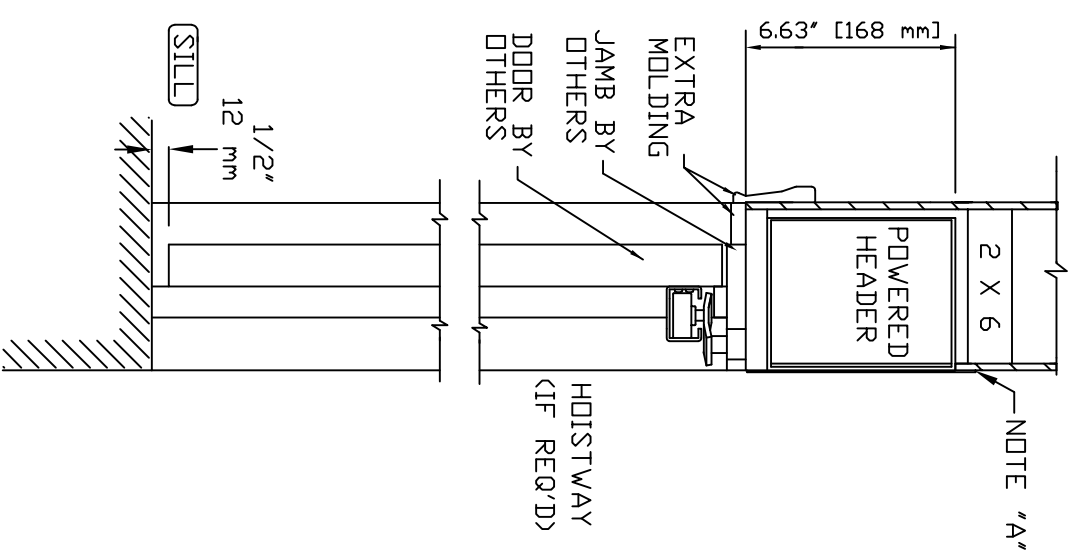


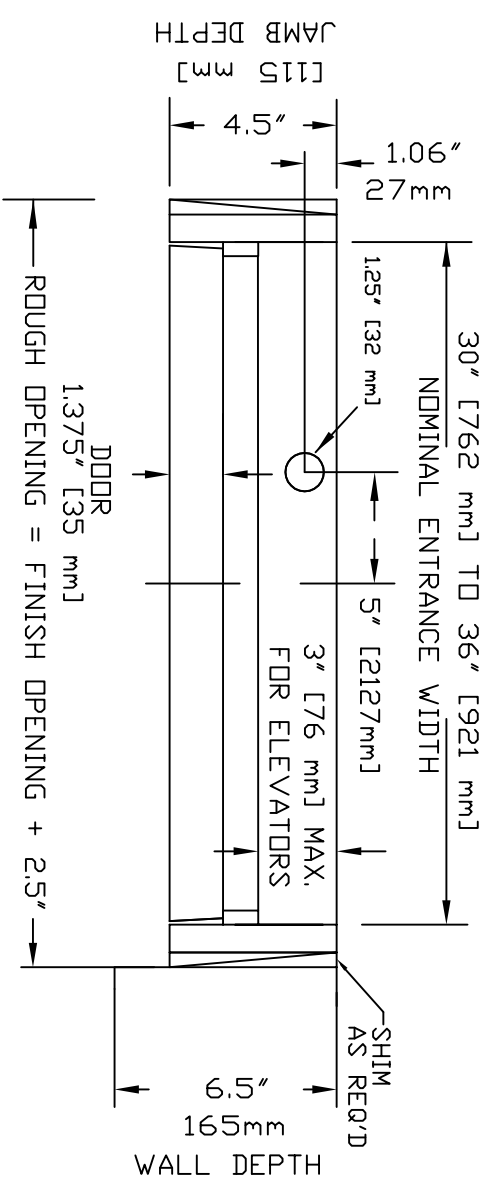
RIGHT HAND SWING



WOODEN POWERED HEADER RH DOOR



VERTICAL SECTION



HORIZONTAL SECTION

- NOTES:**
- A: DRYWALL OR PARGING (BY OTHERS) AS REQ'D.
 - C: SEE DATASHEET OF THE INSTALLATION DRAWING FOR LANDING ENTRANCE SCHEDULE.
 - D: ALL INFORMATION IS SUBJECT TO CHANGE. PLEASE REFERENCE OUR ON-LINE DRAWINGS AT www.concordelevator.com FOR THE MOST RECENT UPDATES.

GENERAL SPECIFICATIONS:

- EACH POWERED HEADER SHALL BE SUPPLIED AS A FINISHED ASSEMBLY READY TO INSTALL INTO FRAMING. NOTE: WOOD FALSE HEADER MUST BE CUT TO SIZE.
- DOOR FRAME SHALL BE WOOD CONSTRUCTION WHERE OPERATOR IS MOUNTED
- DOORS SUPPLIED BY SAVARIA/CONCORD SHALL BE HOLLOW-CORE, 1.375" THICK, SWINGING ON HINGES.
- OPERATOR COMPONENTS ARE FABRICATED FROM ZINC SATIN-COATED STEEL WITH ZINC RICH PRIMER, OR FACTORY APPLIED POWDER-COAT FINISH WHERE PARTS ARE VISIBLE TO END-USER

HARDWARE:

- PULL HANDLE - SUPPLIED BY OTHERS
- CLOSER/OPENER: CONCORD PRO AUTO III
- LOCK ASSY: *SEE CHART
- MOUNTING SCREWS PROVIDED
- SHIMS NOT PROVIDED

CUSTOMER:

PROJECT:

ADDRESS:

OFFICE USE ONLY:

CONFIGURATION VERSION STAMP:
MODULE VERSION STAMP:

DATE:

REVISION DATE:

COMPLETED BY:

Part No.

Variant No.



JOB No. JOB NUMBER 1 OF 1 SHEET No. 1