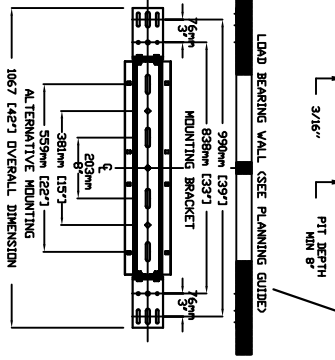
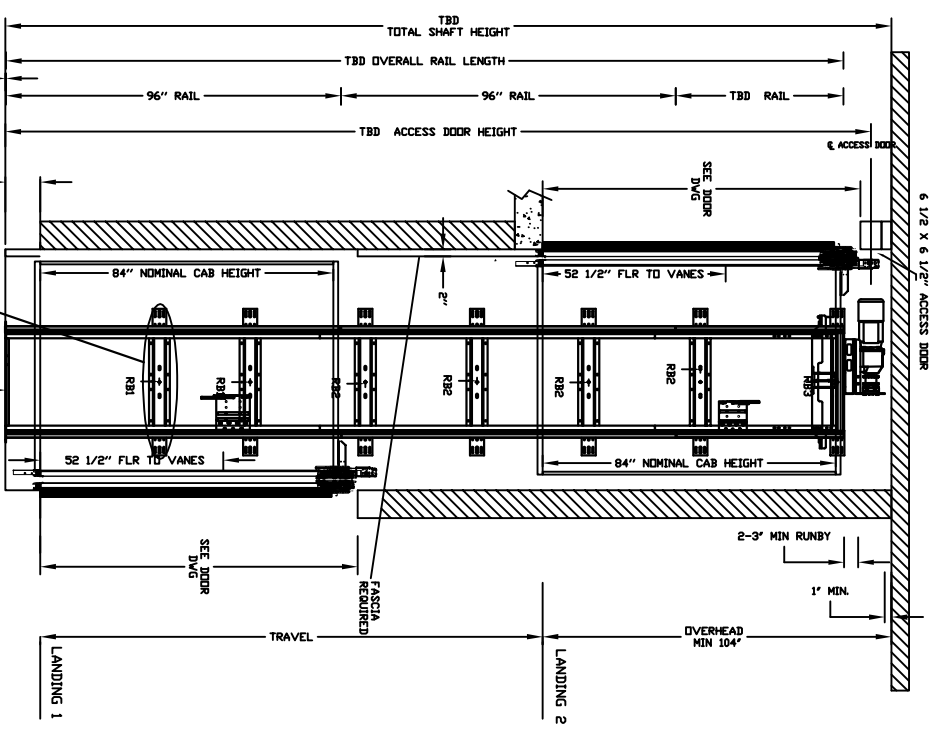


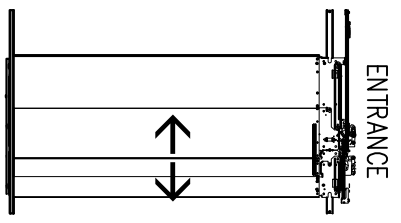
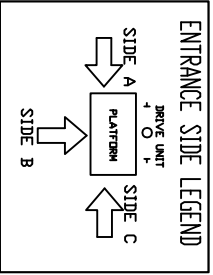
ECLIPSE AUTO SLIM DOORS Model TYPE 2-29 1/2" SLIM



4 WALL ANCHOR POINTS MIN. PER BRACKET
 2 PER SIDE OF RAIL BRACKET CENTER LINE
 PULL OUT FORCE PER FASTENER 69 kg (152 LBS)

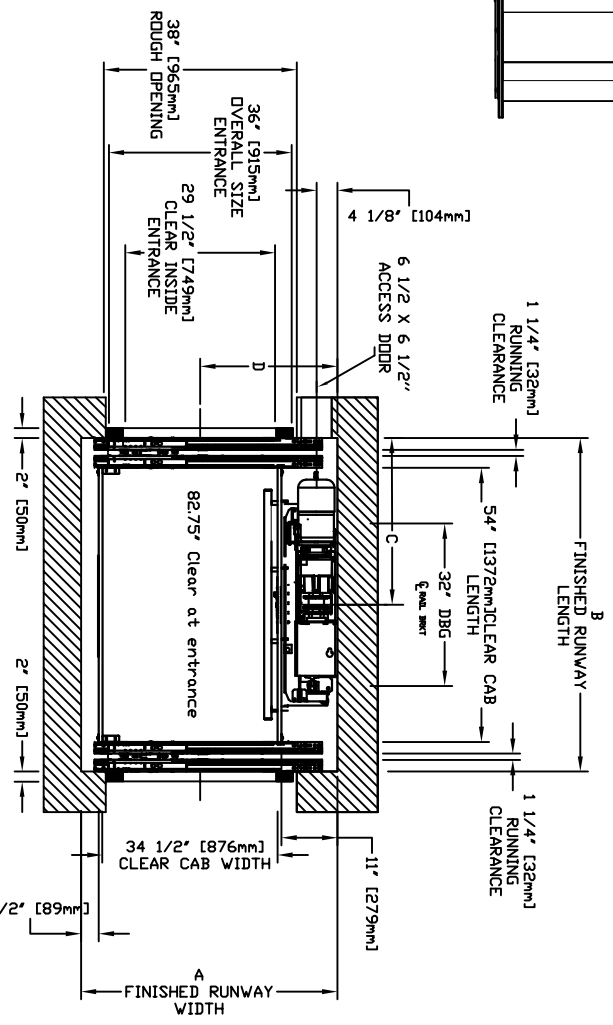
FINAL RAIL BRACKET	RB3	BELOW THE MOTOR CONSULT YOUR REPRESENTATIVE FOR EXACT LOCATION
INTERMEDIATE RAIL BRACKET	RB2	32" (813mm) INTERVALS AFTER 2nd BOTTOM BRACKET
BOTTOM RAIL BRACKET	RB1	39" (991mm) & 71" (1804mm) ABOVE PIT FLOOR

RAIL FORCES	
* R1	* R2
1362 kg (3014 LBS)	882 kg (1944 LBS)
1362 kg (3014 LBS)	1474 kg (3251 LBS)
RAIL WEIGHT: 180 lbs / 7.4'	
PIT FORCE: R3	
PIT FLOOR TO SUPPORT LOAD (INCLUDES IMPACT)	
2909 kg (6400 LBS)	



CHARACTERISTICS

- CAB DOOR TYPE: AUTO SLIM 2 SPEED DOORS
- ENTRANCE DOOR TYPE: AUTO SLIM 2 SPEED DOORS
- 2 SPEED DOORS FINISH: PAINT OR STAINLESS STEEL
- FULLY AUTOMATIC OPERATION TO OPEN THE DOORS UPON ARRIVAL AT THE LANDING
- LIGHTWEIGHT ALUMINUM SILL
- EMERGENCY BACK-UP BATTERY SYSTEM
- INFRARED DETECTION SYSTEM TO RETRACT DOORS BEFORE HITTING AN OBSTRUCTION



CLEAR INSIDE CAB WIDTH	CLEAR INSIDE CAB LENGTH	A		B		C		D	
		FINISHED RUNWAY WIDTH	FINISHED RUNWAY LENGTH	FINISHED RUNWAY LENGTH	CENTER LINE	CENTER LINE	DOOR CENTER LINE		
mm	mm	mm	mm	mm	mm	mm	mm	mm	mm
876	34 1/2	1219	48	1283	50 1/2	1518	59 3/4	29 7/8	686
876	34 1/2	1372	54	1283	50 1/2	1670	65 3/4	32 7/8	686
876	34 1/2	1524	60	1283	50 1/2	1822	71 3/4	35 7/8	686

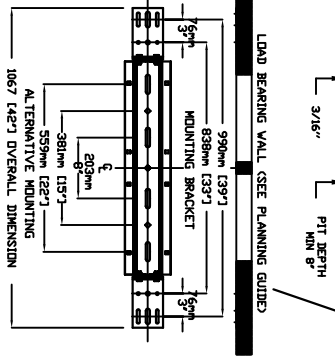
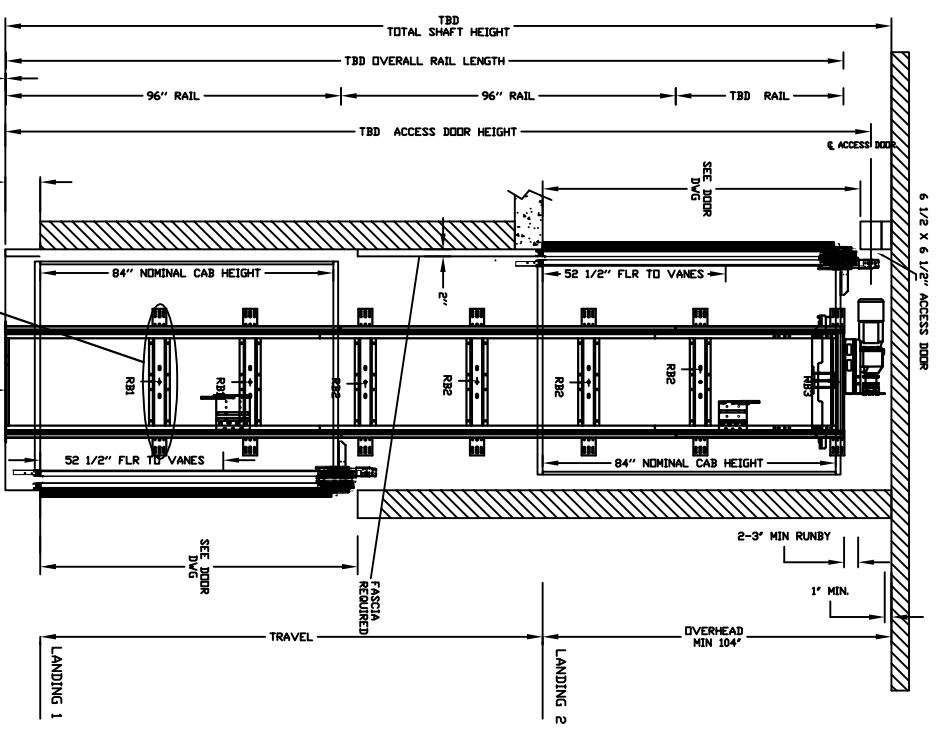
DOCUMENT REVISION 000, DATE: 02/28/17

RESIDENTIAL ELEVATOR ECLIPSE SLIMS DOORS TYPE 2-29 1/2" SLIM

ALL INFORMATION IS SUBJECT TO CHANGE. PLEASE REFERENCE OUR ON-LINE DRAWINGS AT www.savaria.com FOR THE MOST RECENT UPDATES



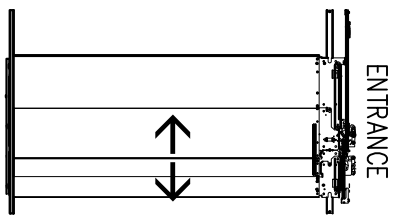
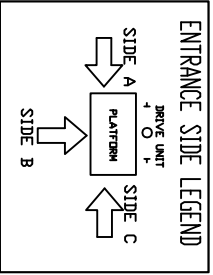
ECLIPSE AUTO SLIM DOORS Model TYPE 2-29 1/2" SLIM



4 WALL ANCHOR POINTS MIN. PER BRACKET
 2 PER SIDE OF RAIL BRACKET CENTER LINE
 PULL OUT FORCE PER FASTENER 69 kg (152 LBS)

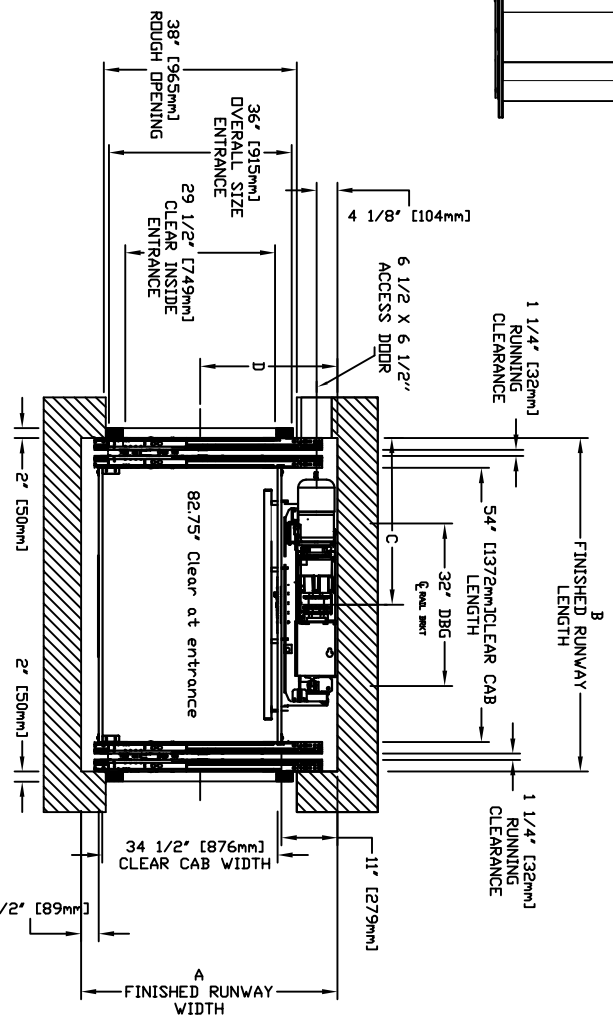
FINAL RAIL BRACKET	RB3	BELOW THE MOTOR CONSULT YOUR REPRESENTATIVE FOR EXACT LOCATION
INTERMEDIATE RAIL BRACKET	RB2	32" (813mm) INTERVALS AFTER 2nd BOTTOM BRACKET
BOTTOM RAIL BRACKET	RB1	39" (991mm) & 71" (1804mm) ABOVE PIT FLOOR

RAIL FORCES	
* R1	* R2
1382 kg (3044 lb)	882 kg (1944 lb)
1382 kg (3044 lb)	1474 kg (3249 lb)
RAIL WEIGHT: 180 lbs / ft	RAIL WEIGHT: 180 lbs / ft
PIT FORCE: R3	
PIT FLOOR TO SUPPORT LOAD (INCLUDES IMPACT)	
2909 kg (6400 lbs)	



CHARACTERISTICS

- CAB DOOR TYPE: AUTO SLIM 2 SPEED DOORS
- ENTRANCE DOOR TYPE: AUTO SLIM 2 SPEED DOORS
- 2 SPEED DOORS FINISH: PAINT OR STAINLESS STEEL
- FULLY AUTOMATIC OPERATION TO OPEN THE DOORS UPON ARRIVAL AT THE LANDING
- LIGHTWEIGHT ALUMINUM SILL
- EMERGENCY BACK-UP BATTERY SYSTEM
- INFRARED DETECTION SYSTEM TO RETRACT DOORS BEFORE HITTING AN OBSTRUCTION



CLEAR INSIDE CAB WIDTH	CLEAR INSIDE CAB LENGTH	A		B		C		D	
		FINISHED RUNWAY WIDTH	FINISHED RUNWAY LENGTH	FINISHED RUNWAY LENGTH	CENTER LINE	CENTER LINE	DOOR CENTER LINE	DOOR CENTER LINE	
mm	mm	mm	mm	mm	mm	mm	mm	mm	mm
876	34 1/2	1219	48	1283	50 1/2	1518	59 3/4	29 7/8	686
876	34 1/2	1372	54	1283	50 1/2	1670	65 3/4	32 7/8	686
876	34 1/2	1524	60	1283	50 1/2	1822	71 3/4	35 7/8	686

DOCUMENT REVISION 000, DATE: 02/28/17

RESIDENTIAL ELEVATOR ECLIPSE SLIMS DOORS TYPE 2-29 1/2" SLIM

ALL INFORMATION IS SUBJECT TO CHANGE.
 PLEASE REFERENCE OUR ON-LINE DRAWINGS AT
www.savaria.com FOR THE MOST RECENT UPDATES

