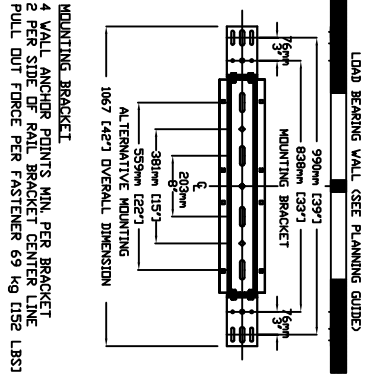
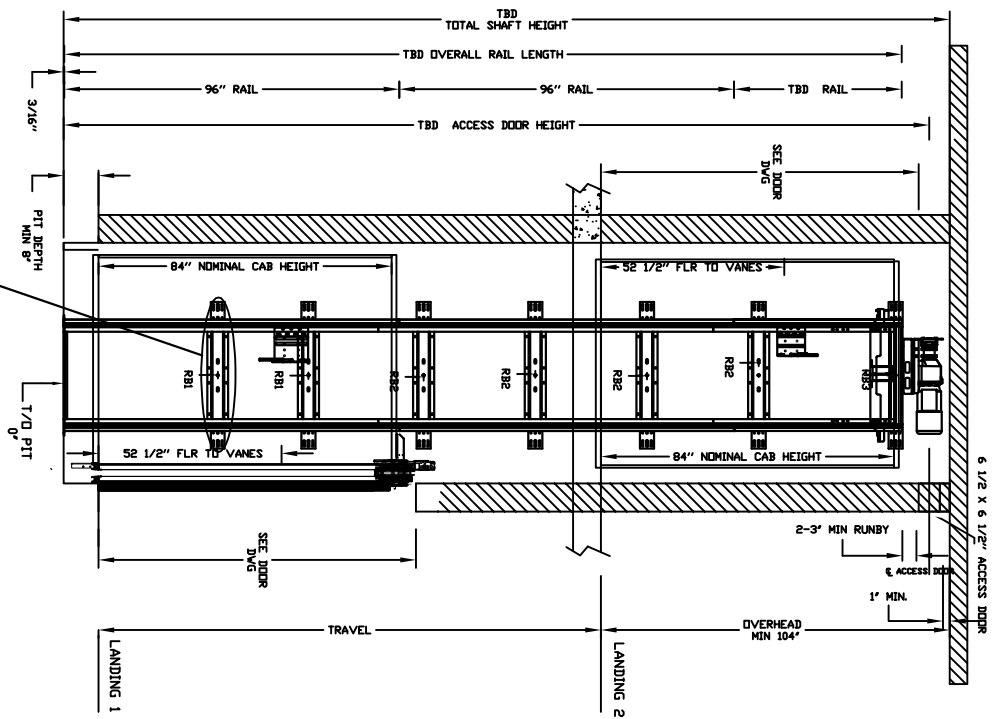


ECLIPSE AUTO SLIM DOORS Model TYPE 3-29 1/2"+SWING



LOAD BEARING WALL (SEE PLANNING GUIDE)
 990mm [3971]
 830mm [3271]
 203mm
 381mm [1501]
 559mm [2201]
 1067 [421] OVERALL DIMENSION

FINAL RAIL BRACKET RB3

BELOW THE MOTOR CONSULT YOUR REPRESENTATIVE FOR EXACT LOCATION

INTERMEDIATE RAIL BRACKET RB2

32" [813mm] INTERVALS AFTER 2nd BOTTOM BRACKET

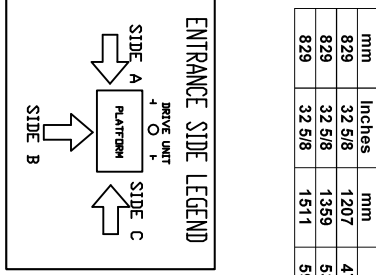
39" [991mm] & ABOVE PIT FLOOR

FINAL RAIL BRACKET RB1

71" [1804mm] ABOVE PIT FLOOR

RAIL FORCES

* R1	* R2
1382 KG [304 lb]	882 KG [194 lb]
RAIL ASSY WEIGHT: 1245 kg / 2743 lb	
PIT FORCE: R3	
PIT FLOOR TO SUPPORT LOAD (INCLUDES IMPACT)	
2909 KG [6400 lbs]	



RESIDENTIAL ELEVATOR
 ECLIPSE SLIMS DOORS TYPE 3-29 1/2"+SWING

DOCUMENT REVISION 000, DATE: 03/03/17

ALL INFORMATION IS SUBJECT TO CHANGE. PLEASE REFERENCE OUR ON-LINE DRAWINGS AT WWW.SAVARIA.COM FOR THE MOST RECENT UPDATES

THE INFORMATION DISCLOSED HEREIN IS THE EXCLUSIVE PROPERTY OF **savaria**

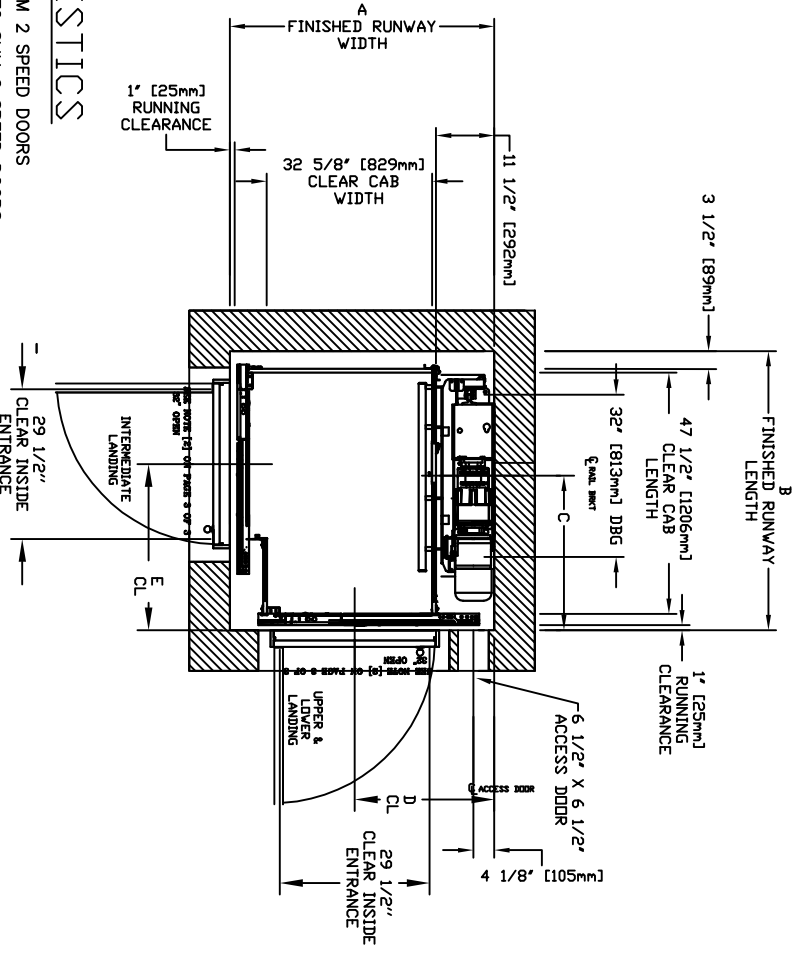
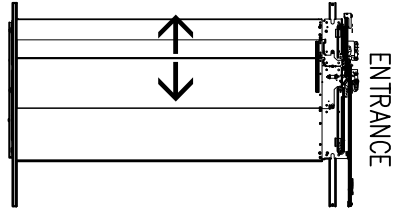
MAN MAN NOT BE USED BY OTHERS WITHOUT WRITTEN CONSENT

SHEET # 1/1

CHARACTERISTICS

- CAB DOOR TYPE: AUTO SLIM 2 SPEED DOORS
- ENTRANCE DOOR TYPE: AUTO SLIM 2 SPEED DOORS
- 2 SPEED DOORS FINISH: PAINT OR STAINLESS STEEL
- FULLY AUTOMATIC OPERATION TO OPEN THE DOORS UPON ARRIVAL AT THE LANDING LIGHTWEIGHT ALUMINUM SILL
- EMERGENCY BACK-UP BATTERY SYSTEM
- INFRARED DETECTION SYSTEM TO RETRACT DOORS BEFORE HITTING AN OBSTRUCTION

CLEAR INSIDE CAB WIDTH	CLEAR INSIDE CAB LENGTH	FINISHED RUNWAY WIDTH	FINISHED RUNWAY LENGTH	RAIL CENTERLINE	DOOR CENTERLINE	DOOR CENTERLINE
mm	mm	mm	mm	mm	mm	mm
829	32 5/8	1511	59 1/2	1324	52 1/8	1702
mm	Inches	mm	Inches	mm	Inches	mm
829	32 5/8	1389	53 1/2	1324	52 1/8	1324
mm	Inches	mm	Inches	mm	Inches	mm
829	32 5/8	1207	47 1/2	1324	52 1/8	1324
mm	Inches	mm	Inches	mm	Inches	mm
829	32 5/8	1359	53 1/2	1324	52 1/8	1324
mm	Inches	mm	Inches	mm	Inches	mm
829	32 5/8	1324	52 1/8	1324	52 1/8	1324
mm	Inches	mm	Inches	mm	Inches	mm
829	32 5/8	1511	59 1/2	1324	52 1/8	1702



ENTRANCE

FINISHED RUNWAY LENGTH

1" [25mm] RUNNING CLEARANCE

6 1/2" X 6 1/2" ACCESS DOOR

4 1/8" [105mm]