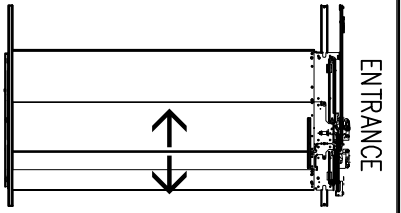
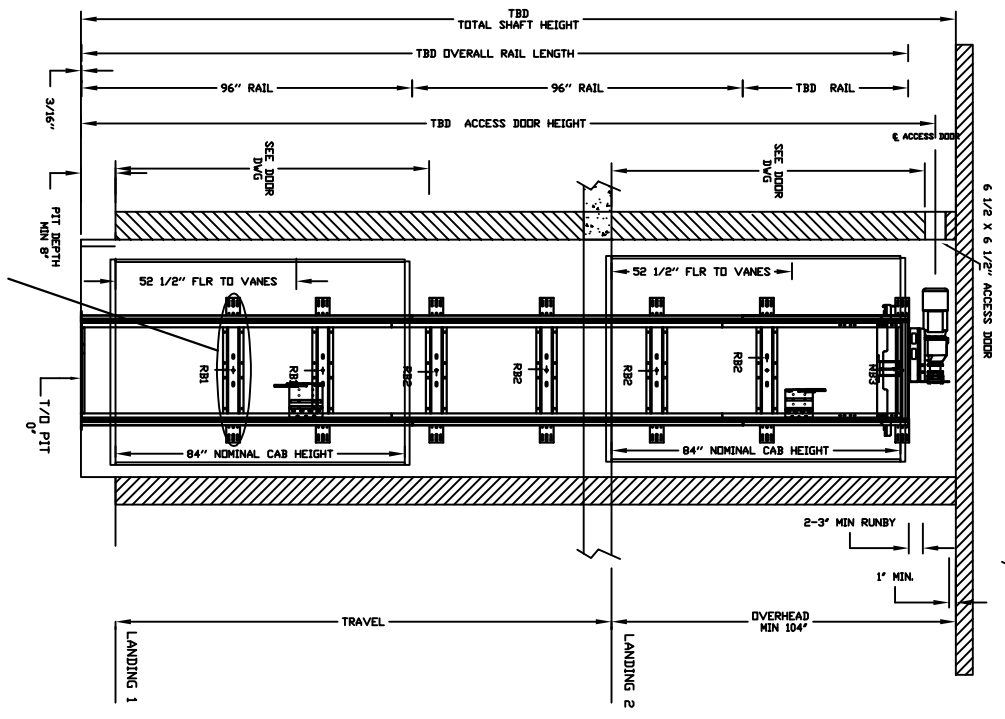
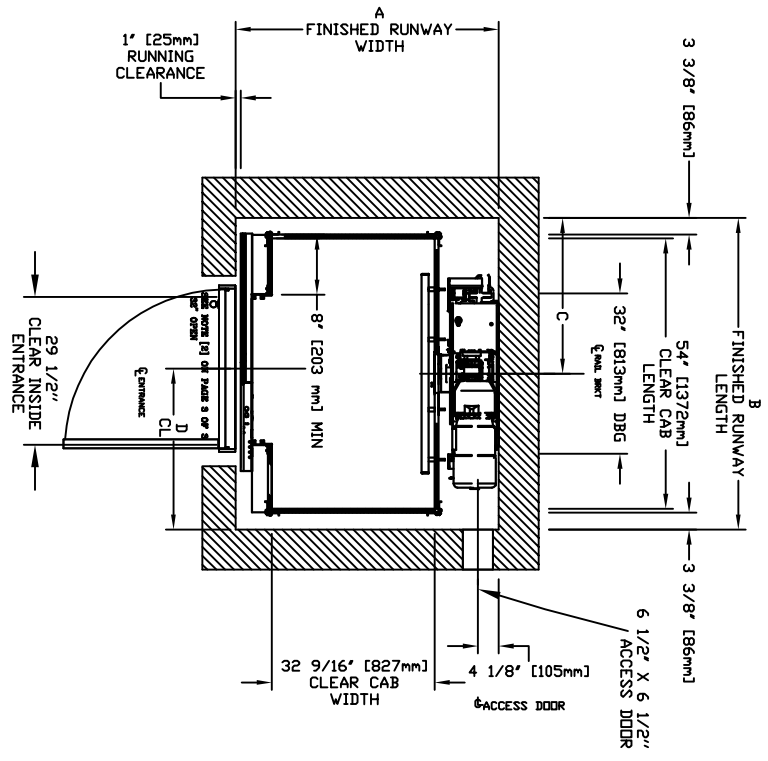


ECLIPSE AUTO SLIM DOORS Model TYPE 5-29 1/2"-SWING



CHARACTERISTICS

- CAB DOOR TYPE: AUTO SLIM 2 SPEED DOORS
- ENTRANCE DOOR TYPE: AUTO SLIM 2 SPEED DOORS
- 2 SPEED DOORS FINISH: PAINT OR STAINLESS STEEL
- FULLY AUTOMATIC OPERATION TO OPEN THE DOORS UPON ARRIVAL AT THE LANDING LIGHTWEIGHT ALUMINUM SILL
- EMERGENCY BACK-UP BATTERY SYSTEM
- INFRARED DETECTION SYSTEM TO RETRACT DOORS BEFORE HITTING AN OBSTRUCTION



CLEAR INSIDE CAB WIDTH	CLEAR INSIDE CAB LENGTH	A FINISHED RUNWAY WIDTH		B FINISHED RUNWAY LENGTH		C RAIL CENTER LINE		D DOOR CENTER LINE	
		mm	Inches	mm	Inches	mm	Inches	mm	Inches
827	32 9/16	1219	48	1334	52 1/2	1429	56 1/4	714	28 1/8
827	32 9/16	1372	54	1334	52 1/2	1581	62 1/4	791	31 1/8
827	32 9/16	1524	60	1334	52 1/2	1734	68 1/4	867	34 1/8

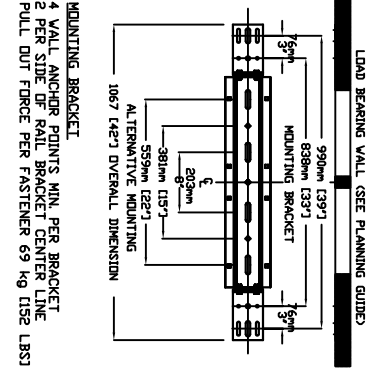
DOCUMENT REVISION 001, DATE: 03/23/17

RESIDENTIAL ELEVATOR ECLIPSE SLIMS DOORS TYPE 5-29 1/2"-SWING

ALL INFORMATION IS SUBJECT TO CHANGE. PLEASE REFERENCE OUR ON-LINE DRAWINGS AT WWW.SAVARIA.COM FOR THE MOST RECENT UPDATES



THE INFORMATION DISCLOSED HEREIN IS THE EXCLUSIVE PROPERTY OF SAVARIA. IT IS TO BE USED BY OTHERS WITHOUT WRITTEN CONSENT.



FINAL RAIL BRACKET	BELOW THE MOTOR CONSULT YOUR REPRESENTATIVE FOR EXACT LOCATION
RB3	
INTERMEDIATE RAIL BRACKET	32 7/8 [813mm] INTERVALS AFTER 2nd BOTTOM BRACKET
RB2	
BOTTOM RAIL BRACKET	39\"/>
RB1	

RAIL FORCES	
* R1	* R2
1382 kg [304 lbf]	882 kg [194 lbf]
RAIL ASSY WEIGHT: 245 kg / 541 lb	
PIT FORCE: R3	
PIT FLOOR TO SUPPORT LOAD (INCLUDES IMPACT): 2909 kg [6400 lbs]	

