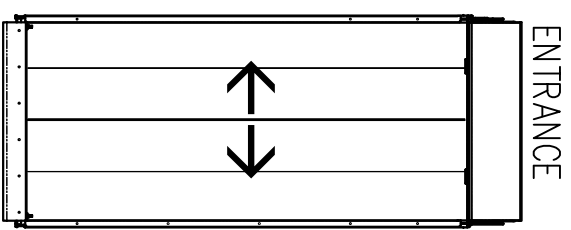
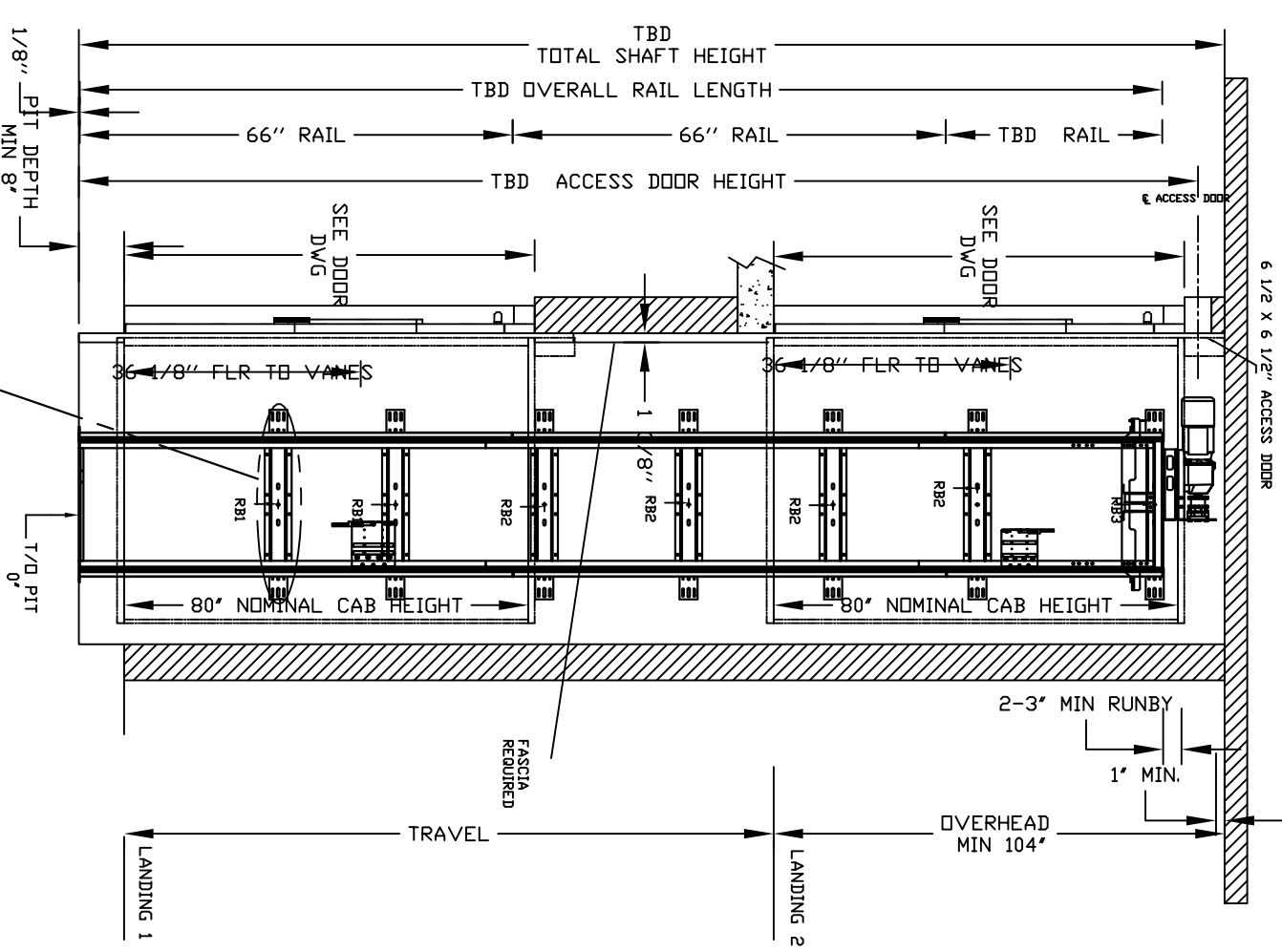


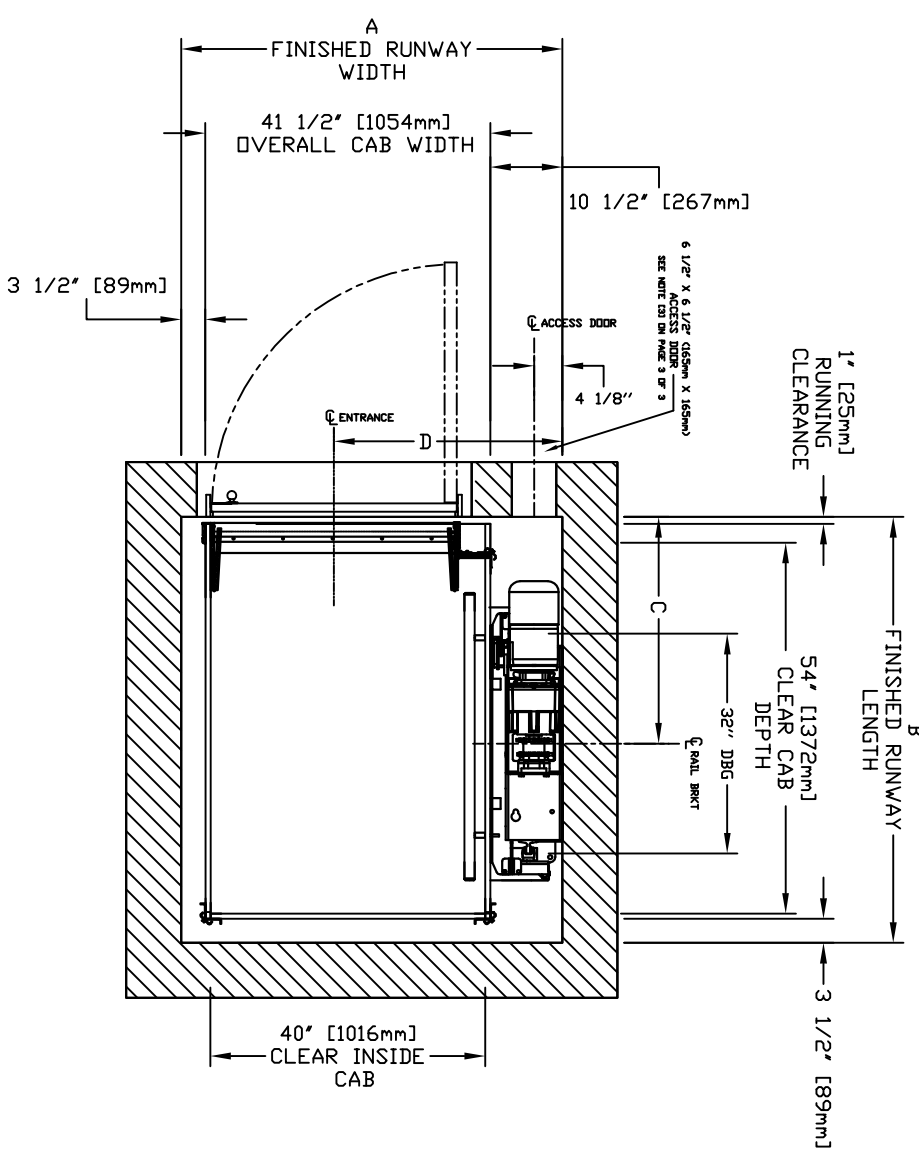
# ECLIPSE BIFOLD Model TYPE 1L



ENTRANCE

## CHARACTERISTICS

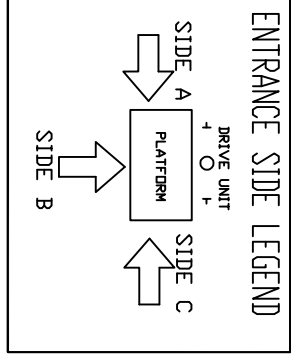
CAB DOOR TYPE: AUTO BIFOLD DOORS  
 ENTRANCE DOOR TYPE: SWING DOORS  
 BIFOLD DOORS FINISH: PAINT OR STAINLESS STEEL  
 FULLY AUTOMATIC OPERATION TO OPEN THE DOORS UPON ARRIVAL AT THE LANDING  
 LIGHTWEIGHT ALUMINUM SILL  
 FOR CAB LONGER THAN 54", EXTENSION PANELS  
 WILL BE PROVIDED AT THE ENDS OF EACH WALLS



CLEAR INSIDE CAB WIDTH	CLEAR INSIDE CAB LENGTH	A FINISHED RUNWAY WIDTH		B FINISHED RUNWAY LENGTH		C RAIL CENTER LINE		D DOOR CENTER LINE			
		mm	Inches	mm	Inches	mm	Inches	mm	Inches		
1016	40	1219	48	1410	55 1/2	1422	56	762	30	845	33 1/4
1016	40	1372	54	1410	55 1/2	1575	62	838	33	845	33 1/4
1016	40	1524	60	1410	55 1/2	1727	68	914	36	845	33 1/4

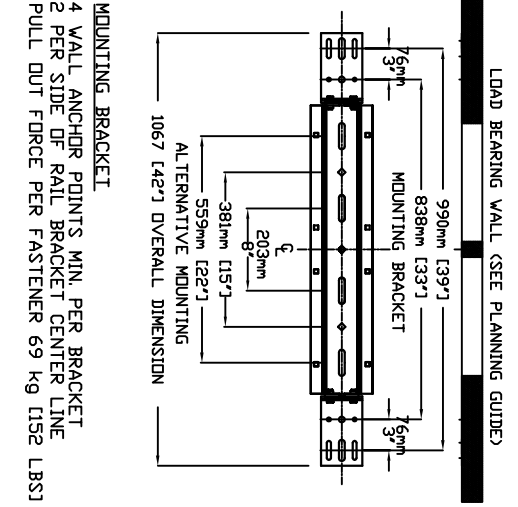
DOCUMENT REVISION 000, DATE: 01/25/17

## RESIDENTIAL ELEVATOR ECLIPSE BIFOLD TYPE 1L



ALL INFORMATION IS SUBJECT TO CHANGE.  
 PLEASE REFERENCE OUR ON-LINE DRAWINGS AT  
[WWW.SAVARIA.COM](http://WWW.SAVARIA.COM) FOR THE MOST RECENT UPDATES

THE INFORMATION DISCLOSED HEREIN IS THE EXCLUSIVE PROPERTY OF  
**savaria**  
 AND MAY NOT BE USED BY OTHERS WITHOUT PRIOR WRITTEN CONSENT



FINAL RAIL BRACKET	INTERMEDIATE RAIL BRACKET	BOTTOM RAIL BRACKET
RB3	RB2	RB1
BELOW THE MOTOR CONSULT YOUR REPRESENTATIVE FOR EXACT LOCATION	32" [813mm] INTERVALS AFTER 2nd BOTTOM BRACKET	71" [1804mm] ABOVE PIT FLOOR

RAIL FORCES	
*R1	*R2
1382 kg [304 lbf]	882 kg [194 lbf]
RAIL ASSY WEIGHT: 245 kg / ft [540 lbs / ft]	
PIT FORCE: R3	
PIT FLOOR TO SUPPORT LOAD (INCLUDES IMPACT) 2909 kg [6400 lbf]	

\*CANNOT HAVE HABITABLE SPACE BELOW PIT\*