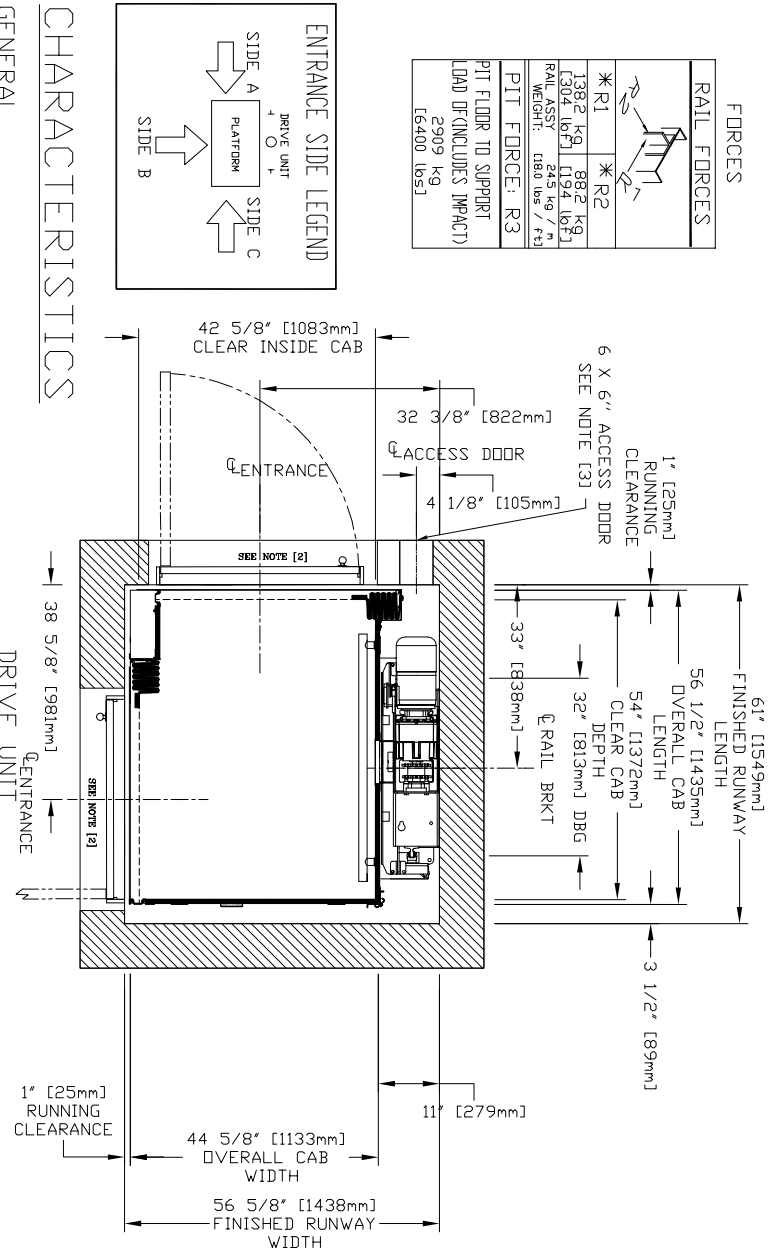
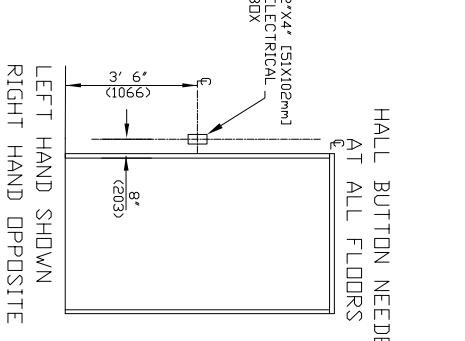


FINAL RAIL BRACKET	BELOW THE MOTOR CONCORD REPRESENTATIVE FOR EXACT LOCATION
INTERMEDIATE RAIL BRACKET	52" [813mm] INTERVALS AFTER 2nd BOTTOM BRACKET
BOTTOM RAIL BRACKET	44" [1118mm] & 71" [1804mm] ABOVE PIT FLOOR



FORCES

RAIL FORCES	
*R1	*R2
1382 kg (3044 lb)	882 kg (1944 lb)
RAIL ASSY WEIGHT: 245 kg / 541 lb	180 kg / 397 lb
PIT FLOOR TO SUPPORT LOAD (INCLUDES IMPACT)	2909 kg (6400 lbs)

CHARACTERISTICS

GENERAL

APPLIED CODE: _____

CAPACITY: _____ (750, 1000 LBS)

NOMINAL SPEED: _____ 40 FPM

TRAVEL: _____

PIT DEPTH: _____ (MIN. 6")

CAR DETAILS

CAB PANEL SELECTION: _____ (SEE CHART)

CEILING SELECTION: _____ (WITH MATCH)

CAB FLOORING: _____ (PLYW, FINISH)

FINISHED FLOOR THICKNESS: _____ (1/8 to 3/4")

CAB HEIGHT: _____ (80, 96")

CAB OPERATION: _____ (AUTO)

GATE TYPE: _____ (FIELD, CFIELD, PFIELD, BRZ, BLK, SZR)

LOCKS/CALL STATIONS/TRAVEL/DOORS (BY OTHERS)

TRAVEL	PIT:	LANDING 1	LANDING 2	LANDING 3	LANDING 4
ENTRANCE SIDE	SIDE				MIN OVERHEAD=96/114"
DOOR SWING					HATCH: SIDE
LOCK TYPE					SMARTLOCK (BY OTHERS)
AUTO DOOR DR.					EMI, PORTA

STANDARD OPTIONS PROVIDED

BUTTON MARKING: _____ (NUMERIC 1 to 4)

HALL CALL KEYPAD: _____ (NO)

HALL CALL FINISH: _____ (MATCH CAR STATION)

HALL CALL SHAPE: _____ (RECTANGULAR)

PREWIRE PACKAGE: _____ (NO)

CONTROLLER LOCATION: _____ (EXTERNAL)

PROVISIONS BY OTHERS

- *HOISTWAY, CONSTRUCTION SITE, CLEARANCE**
- HOISTWAY CONSTRUCTION AND PIT BY OTHERS DUE TO LIMITED SPACE WITHIN THE HOISTWAY IT IS ESSENTIAL THAT THE PIT IS LEVEL AND WALLS ARE SQUARE AND PLUMB THROUGHOUT THE HOISTWAY. THE HOISTWAY FRAMING MUST BE WITHIN 13 mm (1/2") OF PLUMB AND SQUARE FROM TOP TO BOTTOM FOR PROPER OPERATION OF THE ELEVATOR THROUGHOUT THE HOISTWAY.
 - CLEARANCES FROM DOOR TO HOISTWAY DOOR TO BE 76 mm (3") MAXIMUM AND ELEVATOR CAR DOOR TO HOISTWAY DOOR TO BE 127 mm (5") MAXIMUM TO COMPLY WITH CSA B44 (ASME/ANSI A17.1) CONSULT YOUR LOCAL INSPECTION AUTHORITIES FOR CODES WHICH MAY TAKE PRECEDENCE.
 - HOISTWAY MUST HAVE A MINIMUM 152 mm x 152 mm (6" x 6") LOCKABLE ACCESS HATCH PROVIDED BY SAVARIA CONCORD LOCATED AT THE TOP OF THE HOISTWAY. LOCATION MUST BE IN AN AREA WHICH WILL PROVIDE ACCESS TO THE ELEVATOR DRIVE ASSEMBLY BY THE MANUAL LOWERING HANDLE. MANUAL LOWERING HANDLE WILL ENABLE USER TO OVERPOWER BRAKE AND LOWER CAR WITHOUT BODILY ENTRY TO THE SHAFTWAY.
 - THE PIT FLOOR SHALL BE CONSTRUCTED TO WITHSTAND AN IMPACT LOAD OF 2903 KG (6400 LBS) REF. CSA B44 SECTION 2.11 (ASME/ANSI A17.1 SECTION 106.2)
 - HOISTWAY TO BE FREE OF ALL PIPES, WIRING AND OBSTRUCTIONS NOT RELATED TO THE OPERATION OF THE ELEVATOR.
 - HOISTWAY CONSTRUCTION REQUIREMENTS MAY VARY FROM REGION TO REGION. DIMENSIONS GIVEN ARE MANUFACTURERS RECOMMENDED CLEARANCES. THEY REFLECT RUNNING AND ACCESS CLEARANCES. CONSULT YOUR LOCAL AUTHORITY TO ASSURE COMPLIANCE WITH PROVINCE AND LOCAL CODES.
- DIMENSIONS WARNING**
- CONTRACTOR/CUSTOMER TO VERIFY ALL DIMENSIONS AND REPORT ANY DISCREPANCIES TO OUR OFFICE IMMEDIATELY.
- *STRUCTURAL**
- A LOAD BEARING WALL IS REQUIRED TO SUSTAIN RAIL REACTIONS AS SPECIFIED IN KEY TO RAIL REACTIONS ON DRAWING. BUILDING CONTRACTOR TO CONTACT STRUCTURAL ENGINEER TO DETERMINE IF SUPPORTING WALL WILL SUSTAIN RAIL REACTIONS. FOR COMPLYING WITH LOCAL CODES.
 - SUITABLE LINTELS MUST BE PROVIDED BY OWNER/AGENT.
 - DOOR FRAMES ARE NOT DESIGNED TO SUPPORT OVERHEAD WALL LOADS.
 - ALL FULL HEIGHT DOORS MUST BE ALIGNED WITH THE DOOR CENTERLINE SHOWN ON PLAN DETAIL. RECOMMEND INSTALLING A SOLID CORE 2032 mm (6'-8") HIGH DOOR WITH A MINIMUM CLEAR OPENING OF 813 mm (2'-8") WIDE.
 - DOOR HANDLE AND LATCH SET REQUIRED FOR ALL FULL SIZE DOORS.
 - SEE INSTALLATION MANUAL FOR DETAILS ON THE INTERLOCKS. INTERLOCKS ARE REQUIRED FOR ALL FULL SIZE DOORS.
- *ELECTRICAL**
- THE ELEVATOR CONTROLLER IS PROVIDED BY SAVARIA CONCORD AND IS EITHER 12-77" DEEP. THE CONTROLLER IS PROVIDED INSIDE THE HOISTWAY BETWEEN THE 7" RAILS WITH ACCESS EITHER UNDER THE CAB OR THROUGH THE CAB OF THE ELEVATOR. OR B. IN A REMOTE LOCATION EXTERNAL TO HOISTWAY, THAT NEEDS PROPER STRUCTURAL WALL TO SUPPORT THE CONTROLLER ON ALL 4 CORNERS. HOLE'S POSITION ARE 597 mm (235") WIDE BY 546 mm (215") HIGH.
 - ARRANGE FOR A POWER SUPPLY WITHIN SIGHT OR NEXT TO THE ELEVATOR CONTROLLER PRIOR TO DELIVERY OF THE UNIT/BOTH 115 VOLT AND 208/240 VOLT. THE 208/240 VOLT CIRCUIT SHALL ORIGINATE FROM A LOCKABLE 2 POLE FUSED DISCONNECT (20 AMP RK 5 RATED) FUSED LOCATED NEAR THE RESIDENCES INCLUDING ELECTRICAL PANEL. THE ELECTRICAL CIRCUIT PROVIDED FOR THE CONTROLLER SHALL BE 208/240 VOLT, SINGLE PHASE, DEICATED CIRCUIT WITH NEUTRAL AND GROUND. FUSING MUST BE VOLT FOR IS APP SERVICE FOR CAR LIGHT. A LOCKABLE AUXILIARY 240 VOLT AND 115 VOLT DISCONNECT IS REQUIRED INSIDE THE HOISTWAY OR IN SIGHT OF THE CONTROLLER. ALL ELECTRICAL TO DISCONNECTS SHALL BE PROVIDED AND INSTALLED BY OTHERS (MUST COMPLY WITH APPLICABLE CODES).
 - FIELD ELECTRICAL WIRING AND CONNECTIONS TO HALL-CALLS, PIT SWITCH AND INTERLOCKS ARE PROVIDED.
 - IN ALL ALUMINUM AND SHALL BE NOT LESS THAN 200 Lx (19 FE) AT THE FLOOR LEVEL IN THE ALUMINUM AND SHALL MEET ALL LOCAL ELECTRICAL CODES. THE SWITCH MUST BE WITHIN 450 mm (18") OF THE HOISTWAY. THE SWITCH MUST BE GUARDED AND PREVENT ACCIDENT BREAKAGE OR CONTACT WITH THE HOT BULB. THE SWITCH, LIGHT, AND GUARD ARE PROVIDED AND INSTALLED BY OTHERS (MUST COMPLY WITH APPLICABLE CODES).
 - IF A TELEPHONE CIRCUIT IS REQUIRED (OPTION FOR ELEVATOR JACK IS PROVIDED BY OTHERS) AND INSTALLED BY OTHERS. THIS CIRCUIT SHALL BE BROUGHT TO A LOCATION NEXT TO THE CONTROLLER AND BE AVAILABLE TO CONNECT AND TEST UPON ELEVATOR INSTALLATION.
 - WHEN CONTROLLER EXTERNAL
 - LOCATION / ACCESS - CONTROLLER ROOM LOCATED AT THE LOWEST LEVEL ADJACENT TO HOISTWAY, UNLESS SHOWN OTHERWISE ON THE LAYOUT DRAWINGS. FIELD ADJUSTMENT BY INSTALLER MUST BE NECESSARY TO MEET JOB SITE CONDITIONS OR REGULATIONS. ACCESS TO CONTROLLER ROOM TO BE THROUGH A SELF CLOSING LOCKABLE DOOR WHERE CODE CONSIDER IT AS A MACHINE ROOM.
 - WHEN APPLICABLE SLEEVES FOR ELECTRIC LINES -
 - FROM CONTROLLER ROOM TO RUNWAY AS REQUIRED.
 - POSITION PER INSTALLERS INSTRUCTIONS.
- *CODE**
19. ALTHOUGH THE ELEVATOR IS DESIGNED TO MEET CSA B44 (ANSI A17.1), LOCAL CODES MAY VARY. DEALER IS RESPONSIBLE FOR COMPLYING WITH LOCAL CODES.
- NOTE A**
- ALL COMPONENTS WEIGHTS CAN BE FOUND IN THE PLANNING GUIDE
- NOTE B**
- ALL INFORMATION IS SUBJECT TO CHANGE.
- PLEASE REFERENCE OUR ON-LINE DRAWINGS AT www.savariaconcord.com FOR THE MOST RECENT UPDATES

RESIDENTIAL ELEVATOR

ECLIPSE MODEL 40X54 TYPE 4

CUSTOMER:	DATE:
PROJECT:	REVISION DATE:
LOCATION:	COMPLETED BY:

THE INFORMATION DISCLOSED HEREIN IS THE EXCLUSIVE PROPERTY OF **savaria**

AND MAY NOT BE USED BY OTHERS WITHOUT REPRODUCING WRITTEN CONSENT

SHEET # 1/1