



# V1504

## Vertical Platform Lift



# OWNER'S MANUAL

(To Be Retained by Owner After Installation  
by Authorized Savaria Dealer)

Part No. 000692  
15-m07-2020

---

---

## IMPORTANT - READ FIRST

Ensure that only an authorized Savaria mechanic installs and services your Lift. Under no circumstances is anyone other than a mechanic with Savaria training and authorization to install, adjust, service or modify any mechanical or electrical device on this equipment.

Failure to follow this warning can result in safety system compromises or defeat; this can result in serious injury or death. Savaria accepts no liability for property damage, warranty claims or personal injury, including death, in this circumstance.

Passenger safety is the result of countless details in the equipment design, manufacture, and installation. After installation, reliable operation and continual safe operation requires regular inspection and maintenance as outlined in this manual, or more frequently where usage, environment, or local jurisdiction requires. As the Owner, you are responsible for ensuring that regular inspections and maintenance occur in a timely manner as per the manufacturer's recommendations and maintenance schedule.

Refer to this owner's manual for unit description, setup, operating instructions, and a maintenance schedule for your Lift. Upon completion of installation, the Savaria mechanic must provide you with the information for the box below and ensure it is recorded in this owner's manual. In addition, either you or the Savaria mechanic must keep any service and/or maintenance records in the Maintenance Record section of this owner's manual.

At all times, your Lift must be maintained in compliance with the applicable standard to which it has been built and installed.

- United States - A18.1 – Safety Standard for Platform Lifts and Stairway Chairlift
- Canada - CSA B355/613 – Platform lifts and stair lifts for barrier-free access
- Europe - EN-81-40 – Stairlifts and inclined lifting platform intended for persons with impaired mobility
- Europe - 2006/42/EC – Machinery Directive

Depending on your country or region, the local authority code variant may apply.

To ensure safe operation of your Lift, pay careful attention to the important notes, and follow the instructions and any additional safety regulations in this manual.

FOR OWNER'S RECORDS
Customer Name: _____
Installing Dealer: _____
Dealer's Telephone Number: _____
Date Installed: _____
Serial/Job Number: _____

---

## WARRANTY

Ensure your Savaria Dealer provides you with a copy of the manufacturer's limited parts warranty and documentation relating to any Dealer labour warranty.

-----

## CONTENTS

TO ENSURE SAFE OPERATION .....	4
1. DESCRIPTION .....	5
2. GENERAL SPECIFICATIONS .....	6
3. OPERATION .....	8
Attendant Operation .....	8
Operating from the COP Controls .....	9
Operating from the Landing Station Controls .....	10
4. ADDITIONAL FEATURES .....	11
Platform Gate .....	11
Safety Underpan .....	11
Safety Brake .....	12
Emergency Stop Buttons .....	12
Manual Lowering and Battery Lowering System .....	13
Door Locks .....	13
5. MAINTENANCE .....	15
Maintenance Schedule .....	16
Maintenance Record .....	18
Operator Troubleshooting .....	19

## TO ENSURE SAFE OPERATION

To ensure safe operation of this equipment, pay careful attention to the important notes below.

- Read this manual carefully before using the equipment.
- To prevent accidents, adhere strictly to the instructions and keep clear of moving parts at all times.
- Follow instructions on all equipment labels at all times. Replace any damaged labels immediately.
- Ensure that only qualified personnel perform maintenance and service on the unit.
- When replacing parts, be sure that only genuine Savaria parts are used.
- This unit is intended for use by a mature person who understands its proper operation as set out in this manual.



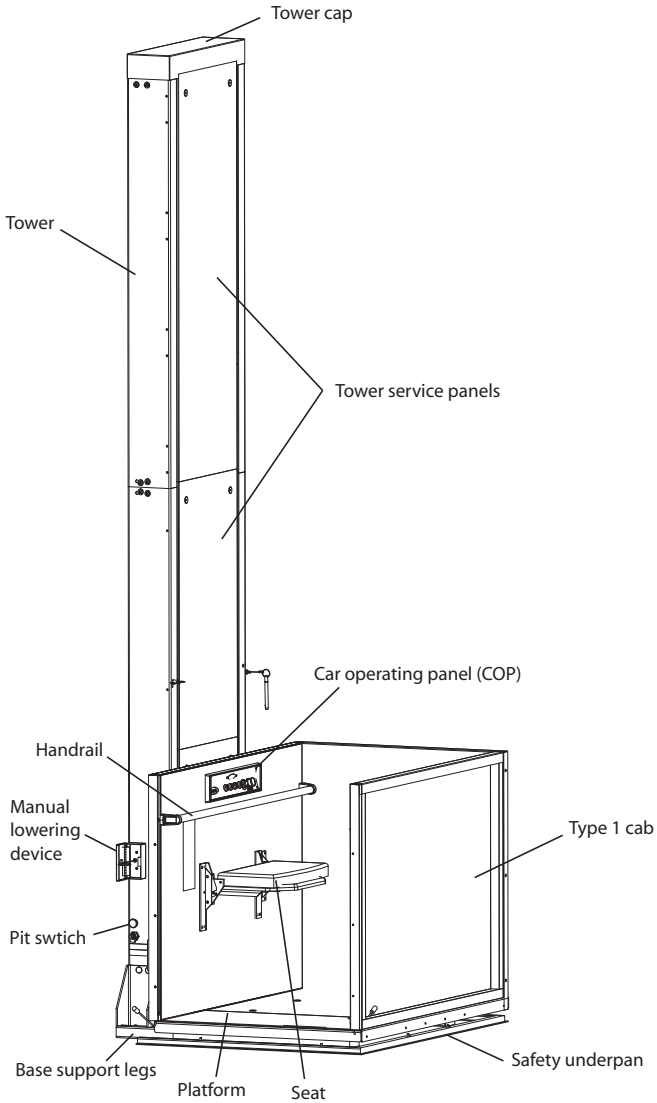
**At no time should children under the age of 16 use the lift while unsupervised.**

- Prior to operation, make sure that:
  - All doors and gates are locked and secure.
  - All areas in and around the lift are clear of any obstructions.
  - All lights are functioning properly.
- Test your keys and emergency stop button every month.

## 1. DESCRIPTION

Figure 1 shows the exterior components of a V1504 (with a Type 1 cab and without an enclosure).

**Figure 1**



## 2. GENERAL SPECIFICATIONS

### V1504 Specifications

Load capacity	750 lb (340 kg)
Maximum travel	23 ft (7 m)
Nominal speed	20 ft/min (0.1 m/s)
Levels serviced	2 (standard), 3, 4
Daily cycle	Normal: 30 Heavy: 75 Excessive: 100 Maximum starts in 1 hour on standard installation: 12
Cab sizes	36" x 48" (914 mm x 1219 mm) 36" x 54" (914 mm x 1371 mm) 36" x 60" (914 mm x 1524 mm) 42" x 60" (1067 mm x 1524 mm)
Side guard panels	42-1/8" (1070 mm) high side guard panels on platform
Cab access	Enter/exit same side (platform Type 1L and 1R) Front/rear access (platform Type 2) 90 degree access (platform Type 3 and 4)
Power supply	120 VAC, 20 A, 60 Hz, single phase
Motor/pump	24 VDC, 3 Hp (2.1 kW) Gear type hydraulic pump
Control system	Electronic-free relay logic controller
Drive system	2:1 chain hydraulic drive system
Tower	Modular 8 ft (2.4 m) base guide rail assembly Roller guide support
Pit depth requirement	3" (76.2 mm)
Finish	Beige electrostatic powder coat paint on all steel surfaces and vacuumed formed plastics

### V1504 Specifications (continued)

Standard features	<p>115 VAC operation (115 VAC up direction; 24 VDC battery down direction)</p> <p>Call/send stations at landings</p> <p>Continuous-pressure type buttons</p> <p>Operating control buttons on platform</p> <p>Automatic battery recharging system (115 VAC)</p> <p>Remote manual lowering device</p> <p>Low-voltage controls</p> <p>Limit switches</p> <p>Handrail</p> <p>Non-skid platform surface</p> <p>No machine room required</p> <p>Emergency stop button</p>
Options	<p>Safety underpan</p> <p>Platform gate with metal insert</p> <p>Top landing gate</p> <p>Upper/lower landing door 80" (2032 mm)</p> <p>Fire-rated, flush-mounted landing entrances</p> <p>Folding seat on platform</p> <p>Telephone on platform</p> <p>Custom color</p> <p>Fixed access ramp</p> <p>Public building package</p> <p>Outdoor package</p> <p>Automatic safety ramp on platform (for outdoor model)</p> <p>24V battery backup (minimum 5 trips, up and down)</p> <p>Savaria Link remote monitoring</p>

### 3. OPERATION

#### IMPORTANT

Prior to operating the lift, a manual wheelchair **MUST** have the wheels locked and any power-operated device **MUST** have the power turned off. If using the provided fold-down seat, ensure that the seat belt is securely fastened.

#### NOTE

*Position the wheelchair, scooter or walker **CENTRAL** on the platform.*



#### WARNING

**DO NOT drive against the fold-up ramp.**  
**For units with a fold-up ramp without a platform gate, the user **MUST** be seated. **DO NOT** use the lift while standing.**

#### Attendant Operation

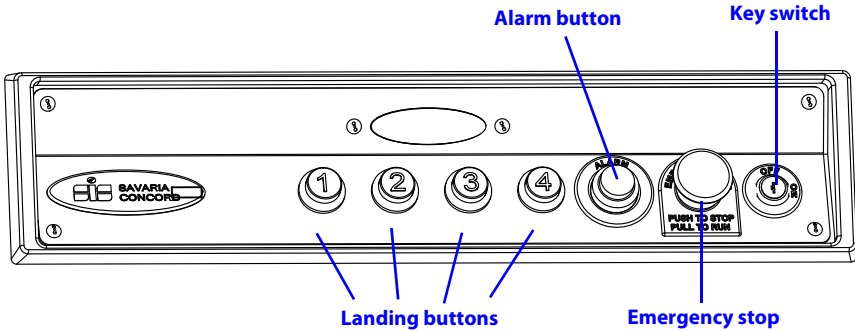
- The attendant shall only operate the lift from the call station located at the lower landing if the lift is unenclosed.
- The attendant shall have full view of the floor area under the lift and of the rider at all times.
- If the lift is enclosed, the lift can be operated from the upper landing provided the operator has view of the rider at all times.
- During attendant operation, the car directional controls must not be operational.



## Operating from the COP Controls

Figure 2 shows a sample car operating panel (COP) for a four-landing installation.

**Figure 2**



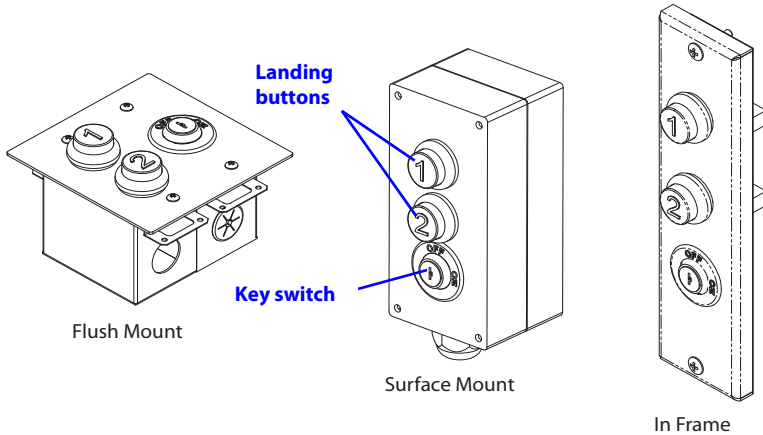
To operate the V1504 from the COP controls:

- 1 Insert the key into the switch (if equipped) and turn it to the ON position to activate the operating buttons.
- 2 Press the appropriate landing button to move the lift to the destination. Note that the V1504 will not move if one of the doors is open.
- 3 When the lift reaches the landing, the door will unlock automatically (for units with mechanical GAL locks). For units with an interlock (WR500 or Prolock), the door will unlock automatically for a few seconds when the lift reaches the landing. If you need to re-open the door after the delay, turn the key to the ON position and press the call button again to unlock the door.
- 4 To prevent unauthorized use of the lift, take the key out when the unit is not in operation.
- 5 Pressing the Emergency Stop button during travel will stop the lift immediately and activate the alarm. The Emergency Stop overrides the landing station controls. Pull the Emergency Stop out to return the lift to normal operation.
- 6 Pressing the Alarm button during travel will activate the alarm. **If the door is locked at a landing, you can press the Alarm button to unlock the current landing door.**

## Operating from the Landing Station Controls

Figure 3 shows the different types of landing stations (hall calls).

**Figure 3**



To operate the V1504 from the landing (call/send) station controls:

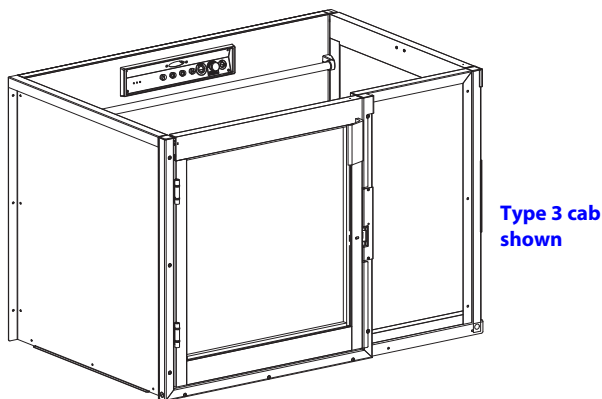
- 1** Insert the key into the key switch (if equipped) and turn it to the ON position to activate the operating buttons.
- 2** Press the appropriate button to move the lift in the required direction. Note that the V1504 will not move if one of the doors is open.
- 3** When the lift reaches the landing, the door will unlock automatically (for units with mechanical GAL locks). For units with an interlock (WR500 or Prolock), the door will unlock automatically for a few seconds when the lift reaches the landing. If you need to re-open the door after the delay, turn the key to the ON position and press the call button again to unlock the door.
- 4** To prevent unauthorized use of the lift, take the key out when the unit is not in operation.

## 4. ADDITIONAL FEATURES

### Platform Gate

The platform gate is shown in Figure 4. This feature is optional for residential use and required for public applications. The gate must be in the fully closed position for the lift to operate.

**Figure 4**



### Safety Underpan

The safety underpan (shown in Figure 5) is located under the platform. The underpan has sensors that detect any obstacles and stop the downward travel of the lift. This is optional on enclosed units and required on open hoistways.

**Figure 5**



## Safety Brake

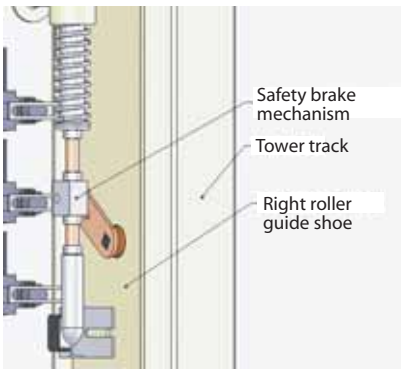
The safety brake stops the platform in the event of chain failure.

When the platform is in operation, the chain tension keeps the brake mechanism up (Figure 9) so that the brake's cam doesn't interfere with the tower track.

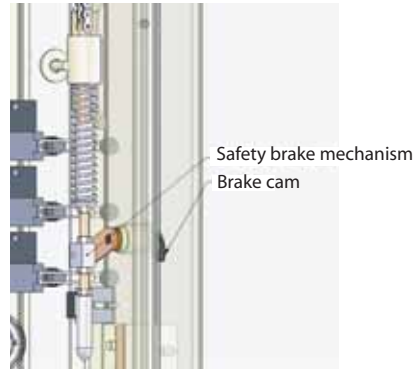
If a chain failure occurs, the brake mechanism comes down (Figure 9) and the brake cam stops the platform.

**Figure 6**

Safety brake in operating position



Safety brake in down position



## Emergency Stop Buttons

Pressing one of the red Emergency Stop buttons during travel will stop the lift immediately and activate the alarm. The Emergency Stop overrides the landing (call/send) stations. Pull the Emergency Stop out to return the lift to normal operation.

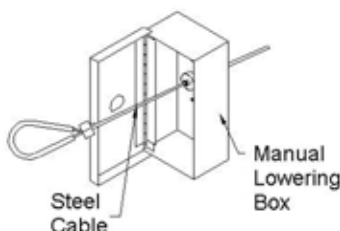
## Manual Lowering and Battery Lowering System

If a power failure occurs, a battery lowering system will bring the lift to the bottom level. If the battery fails while operating, there is also a manual lowering device that will bring the lift to the lower level.

The manual lowering box (Figure 10) is located on the side of the V1504. When you pull on the steel cable located inside the manual lowering box, the platform descends to ground level.

DO NOT have any hoistway door open and always warn the passenger that the platform will be lowered manually

**Figure 7**



### NOTE

*This mechanism is for emergency use only. After use of any emergency function (access key or manual lowering device), ensure that all doors/gates are secure and locked. While the emergency function is in use, DO NOT leave the area unattended.*

## Door Locks

The door lock keeps the door locked when the platform is moving and not at a landing.

- WR-500 lock
- GAL lock
- Prolock

### NOTE

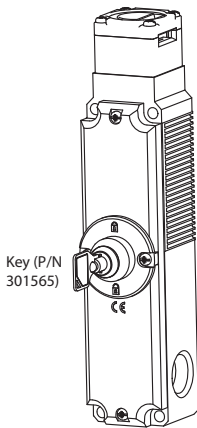
*Keys are for emergency use only and should always be kept in a safe place for use by trained personnel only.*

## Emergency Door Opening

For units with a **WR-500 lock**, the door can be opened manually using the emergency key provided (Figure 6).

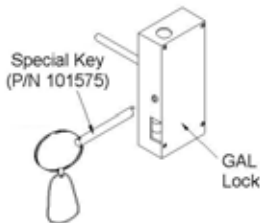
Insert the key into the lock and turn it a half turn clockwise to unlock the door. Pull the door open and then turn the key a half turn counter-clockwise to remove it from the lock. **DO NOT** open the door if there is any chance of falling into the hoistway or from the platform.

**Figure 8**



For units with a **GAL lock** or **Prolock**, the door can be opened manually using a special key inserted into the round pin on the front of the lock (Figure 8).

**Figure 9**



### NOTE

*After use of any emergency function (access key or manual lowering device), ensure that all doors/gates are secure and locked. While the emergency function is in use, DO NOT leave the area unattended.*



## Maintenance Schedule

Verification by owner	Frequency (minimal)	Frequency (adjusted)
<p>For units with an interlock, the lift should not move if any door is not closed and locked.</p> <p>For units with a GAL lock, the lift should not move if any door is not closed.</p> <p>The lift should not move beyond the door zone (usually less than four inches away from the landing in either direction) if the door is not locked.</p>	Every 2 months	
<p>Verify the underpan is working.  <b>Be sure to insert the shoring pins.</b></p>	Every 2 months	
<p>Verify correct operation of the phone (where applicable).</p>	Every 2 months	
<p>Confirm doors or gates are all self-closing.</p>	Every 2 months	
<p>Check that the Stop button works correctly</p>	Every 2 months	
<p><b>Verification by technician ONLY</b></p>	<b>Frequency</b>	
<p>Verify the door lock operation:</p> <ul style="list-style-type: none"> <li>• The lift is operational when the door is locked</li> <li>• The lift is NOT operational when the door is open at a landing</li> <li>• Insert the lock key to manually unlock the door and ensure the following:                             <ul style="list-style-type: none"> <li>• The lift is NOT operational when the door is manually unlocked with the key</li> <li>• The key cannot be removed from the lock when the door is manually unlocked</li> </ul> </li> </ul>	Every 6 months	
<p><i>Table continued on the next page</i></p>		



<p>Check the suspension system:</p> <ul style="list-style-type: none"> <li>• Chains</li> <li>• Connecting links</li> <li>• Chain pulleys and shafts</li> <li>• Parts holding the chains on the roller supports</li> <li>• Chain tensioners on the rail (they should be tight)</li> <li>• Cylinder head (cotter pins, cracks, welds)</li> <li>• Up relays - if you have two up relays (solenoids or contactors), make sure one of them is not stuck in the activated position. Use a multimeter to verify that every N.O. contact is open when the relays are not being activated.</li> </ul>	Every 6 months	
Check the safety brake.	Every 6 months	
Check for oil leaks.	Every 6 months	
Check the rollers.	Every 6 months	
Ensure that all filler panels (aluminum, Plexiglas or glass) are securely fastened in the enclosure, doors and gates.	Every 6 months	



---

## Operator Troubleshooting

The following table lists potential problems and their possible solutions.

If the problem persists, contact your Authorized Dealer.

Potential Problem	Possible Solution
Platform goes up but does not come down	Check the underpan sensor. Pull down on the underpan to ensure the pan is not stuck in the activated position.
Platform comes down but does not go up	Check the power supply (breaker, cord, battery, etc.).
Platform does not move	Check that the key is ON (if applicable). Check that the doors are closed. Check to see if the Emergency Stop is pushed in; it should be pulled out for normal operation. If the platform is at the top landing, check the underpan sensor as described above.

**Authorized Savaria Dealer**

# **V1504 Vertical Platform Lift OWNER'S MANUAL**

Part No. 000692  
Copyright © 2020

Savaria Concord Lifts, Inc.  
2 Walker Drive  
Brampton, Ontario, L6T 5E1, Canada  
[www.savaria.com](http://www.savaria.com)

For service or questions about this product, please contact your installing dealer.

DEALER NAME: \_\_\_\_\_

DEALER PHONE: \_\_\_\_\_

